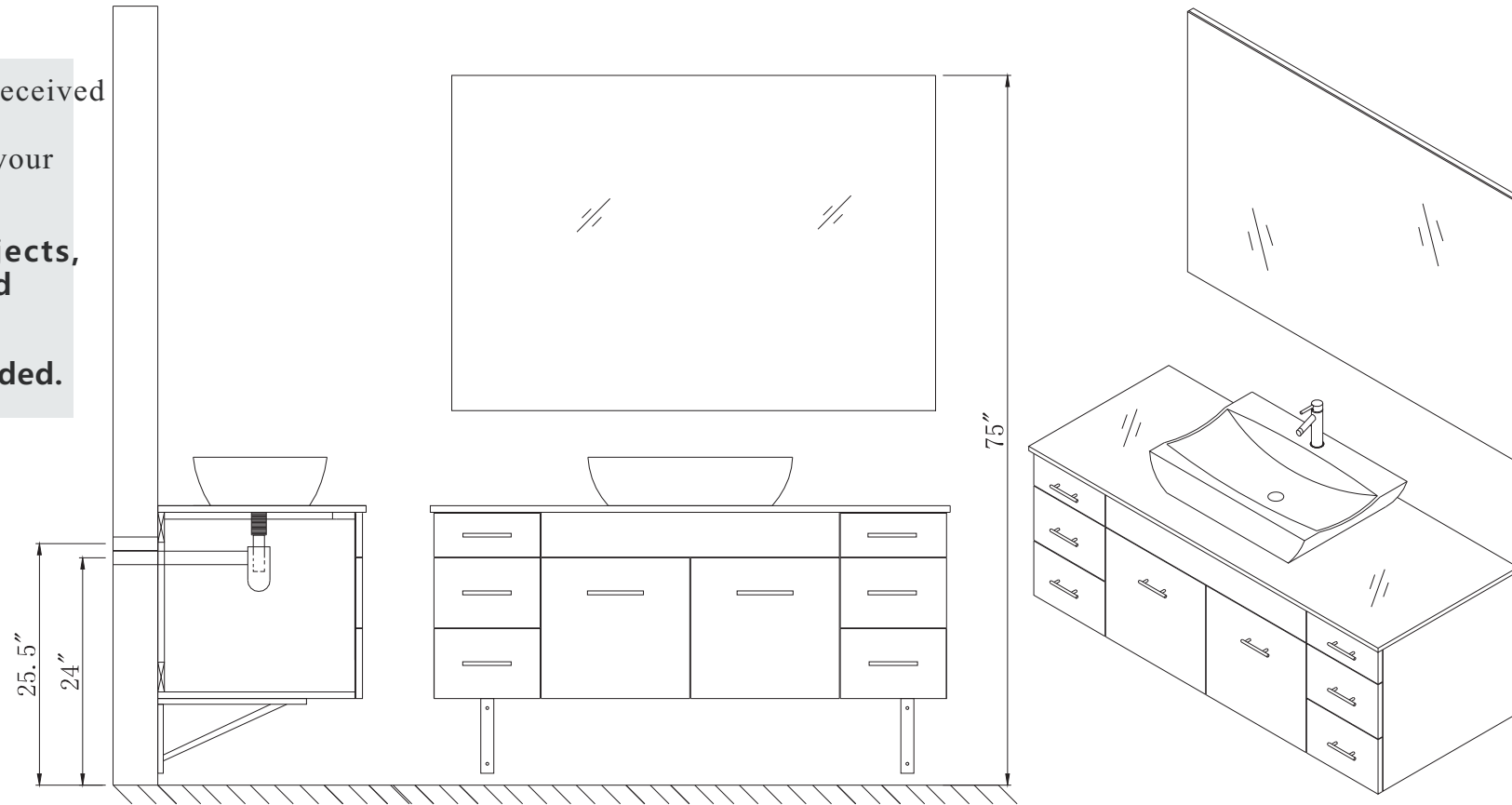


SKU:UM-3083

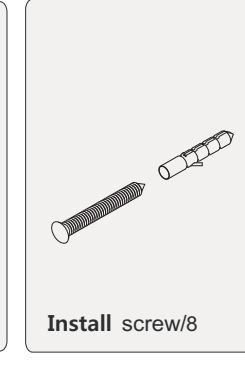
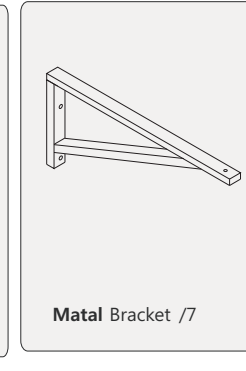
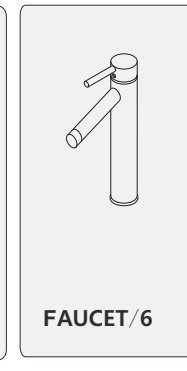
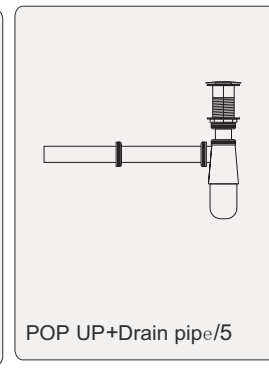
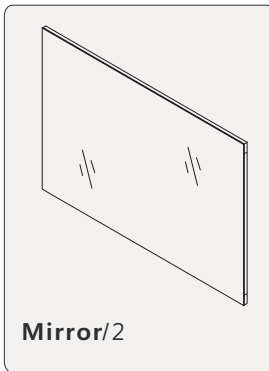
SIZE:1377x550x500

PROHIBIT COPY

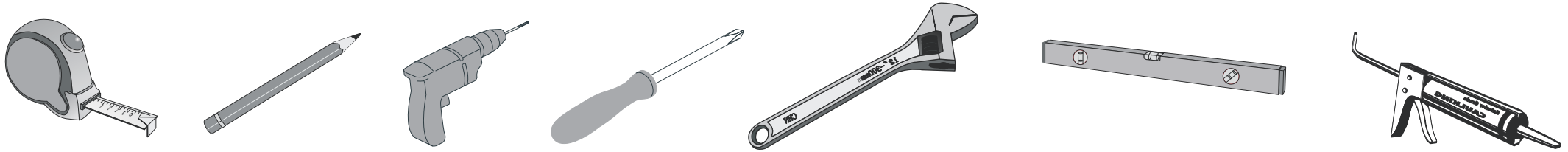
- Prior to **installation** please check received items **against** the **Packing List**
Please report any **missing** items to your local dealer **immediately**.
- Protect all **surfaces** from sharp **objects**, high heat sources, direct **prolonged** sunlight and **chemical hazards**.
- **Professional** installation recommended.



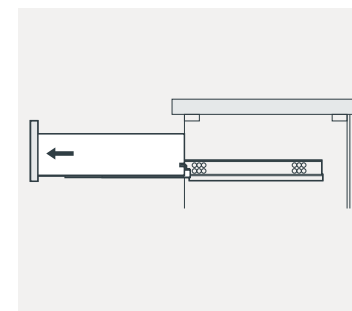
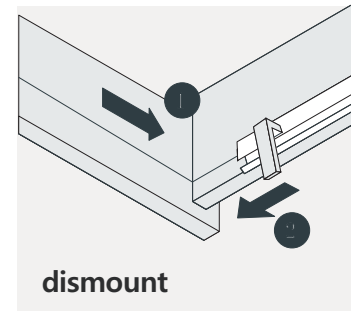
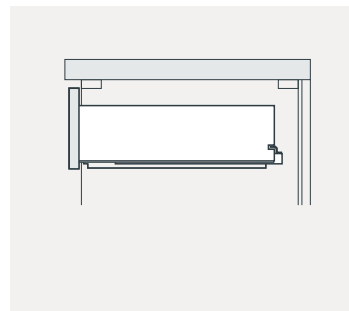
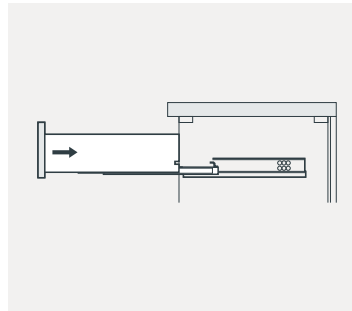
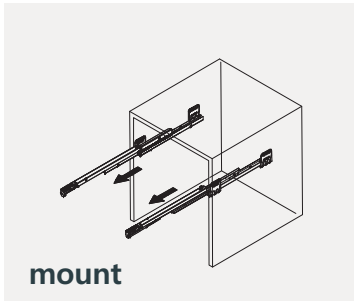
PACKING LIST



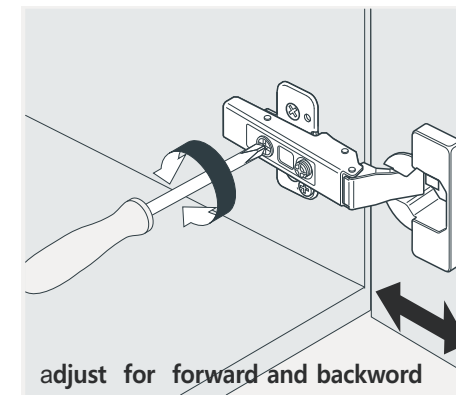
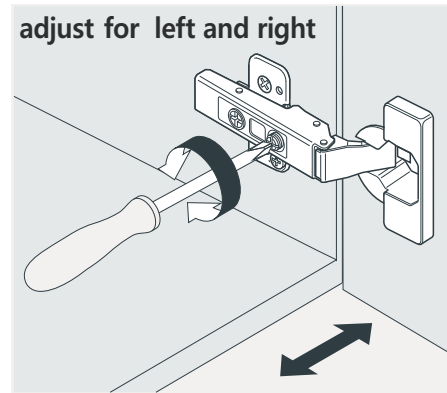
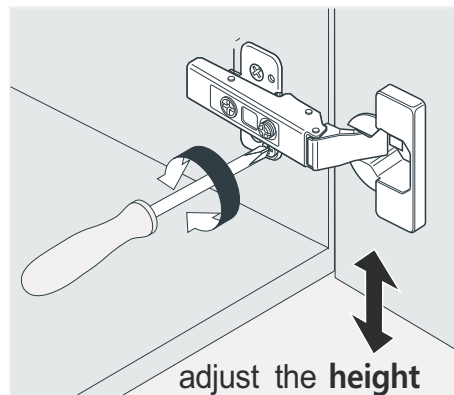
REQUIRED TOOLS



DRAWER SLIDER ATTACHMENT AND DETACHMENT



INSTALLATION AND ADJUSTMENT OF HINGES



INSTALLATION PROCESS

